



PRODUCT FEATURES

The VENTRA-F is a multi louvred ventilator provides an economic, nonpowered method of ventilation, allowing the removal of large quantities of warm air and / or smoke from a building within a short period of time. The VENTRA-F is suitable for air feed or smoke exhaust in the façade, and natural lighting. The vents are manufactured according to EN-ISO 9001 quality control standards .

The vents are formed from high quality corrosion resistant aluminium, to ensure low maintenance requirements and watertightness. Various methods of operation using pneumatic or electric actuators are available. The ventilator design produces a versatile economic unit suitable for a wide range of applications.





Ventiro-f

TYPICAL APPLICATIONS

Versatile scope of applications on facades, with an installation angle close to 90°.
Installations: Industrial Buildings; Warehouses; Logistics Centres; Shopping Centres; Atria, Etc.

MATERIALS

Aluminium; tempered, sea water and corrosion-resistant AlMg³ and extruded aluminium profiles for the frames. Corrosion-resistant bearings. The aluminium is supplied untreated as standard. Free of silicones.

CONSTRUCTION

CONTROLS NATURAL VENTILATION

P - Single pipe compressed operation
P2 - Double pipe compressed air operation M230V - Electric motor

CONTROLS FIRE VENTILATION ACCORDING TO EN 12101-2

PF - Single pipe compressed air operation with fire function
P2F Double pipe compressed air operation with fire function M24V - Electric motor

BASES

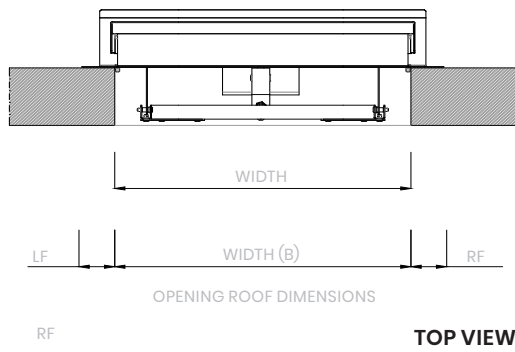
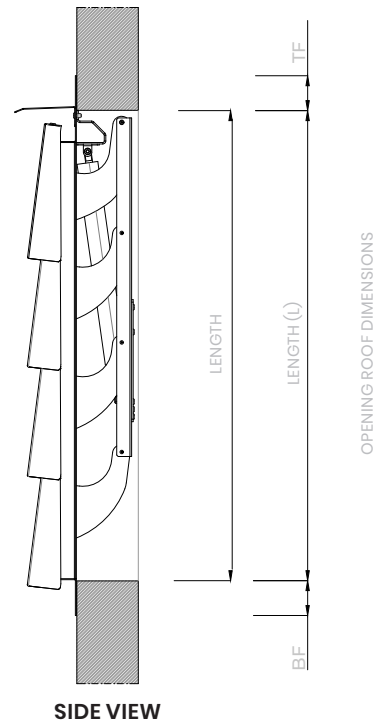
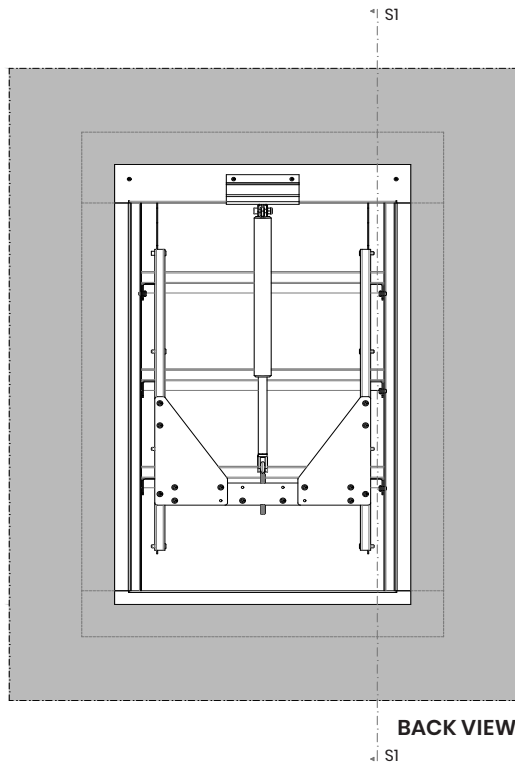
Single skin aluminium / Double skin aluminium with thermal insulation / SB - standard base, with the entire mechanism (louvres). Other non standard bases available upon request

OPTIONS

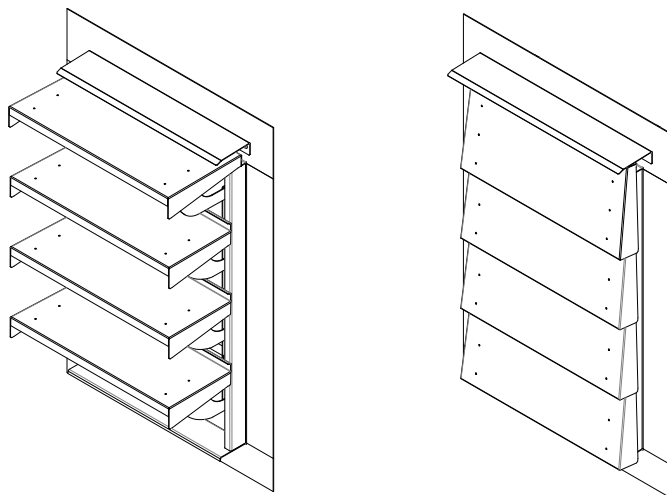
Custom dimensions / Powder-coated design (any RAL colour) / Bird or insect mesh (check the page 44 of this catalogue)

REGULATIONS

The system has been tested and is certified in accordance with EN 12101-2



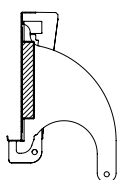
PERSPECTIVES (OPEN AND CLOSED)



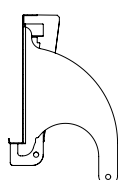
DIMENSIONS/ LOUVRES TABLE

VENTILATOR DIMENSIONS	LENGTH (MM)													
	4	5	6	7	8	9	10	11	12	13	14	15	16	17
WIDTH (MM)	LENGTH (MM)													
600														
900														
1100														
1400														
1700	944	1164	1384	1604	1824	2044	2264	2484	2704	2924	3144	3364	3584	3804
2000														
2200														
2300														
2400														

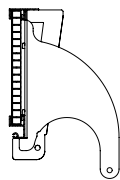
LOUVRES



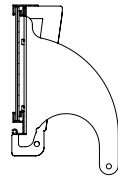
AL ISO



AL



PC16



GLASS

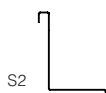
FLANGES

- S1 Flange for single glass
- S2 Flange for double glass
- S3 Flange for roofs and facades
- S4 Flange for roofs and facades
- S5 Flange for upstand, 90° bended

* Custom flange design and insulated flanges upon request



S1



S2



S3



S4



S5