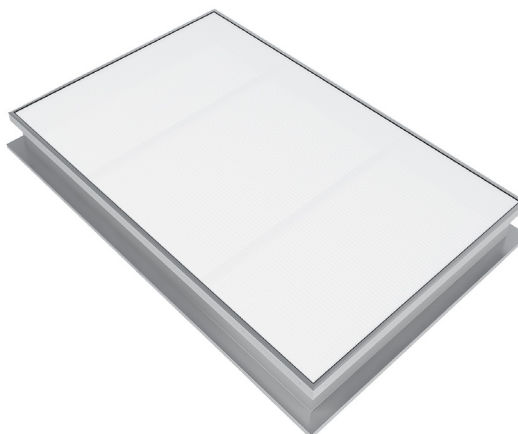


PRODUCT FEATURES

TRILUX RA is a fixed skylight with the purpose of natural lighting. It is built entirely with profiles of aluminium and polycarbonate of 16mm, being the steel base galvanized with 350mm height. Due to its robustness and quality, TRILUX can be applied in the most geographical areas, guaranteeing a strong resistance including different weather conditions and sea aggressive atmospheres.

TRILUX RA AC is a roof access version of TRILUX with a mechanical inside opening and close mechanical system. Dimensions available are 1 x 1 m and 1,2 x 1,2m and PC16mm flap.



TRILUX RA (fix skylight)



TRILUX RA AC (roof access)

trilux RA



DESCRIPTION

TRIA.TRILUX RA 1015/PC16/AG350/S5 where 1015 means 1000 x 1500mm, PC16 is the lighting material – polycarbonate 16mm, AG350 means a galvanized steel base with 350mm height, S5 is the type of flange in this case for upstand anchoring.

CONSTRUCTION

BASES

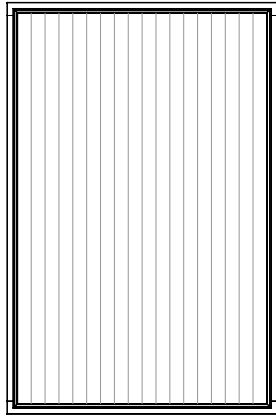
Galvanized Steel or Aluminium
Standard Height 250mm with options from 150mm to 350mm.
Optionally insulated base with 15mm or 30mm for high insulated flat roofs.

FLANGES

- S1 Flange for single glass
 - S2 Flange for double glass
 - S3 Flange for roofs, 45° bended
 - S4 Flange for roofs and facades
 - S5 Flange for upstand, 90° bended
- Custom flange design and insulated flanges upon request

	OPENING ROOF DIMENSIONS								
	1010	1015	1020	1212	1515	1520	2020	2025	2035
WIDTH	1000	1000	1000	1200	1500	1500	2000	2000	2000
LENGTH	1000	1500	2000	1200	1500	2000	2000	2500	3500

TRILUX RA (FIXED SKYLIGHT)



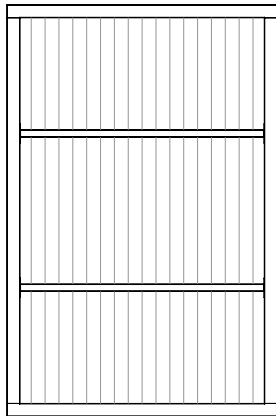
TOP VIEW



FRONT VIEW

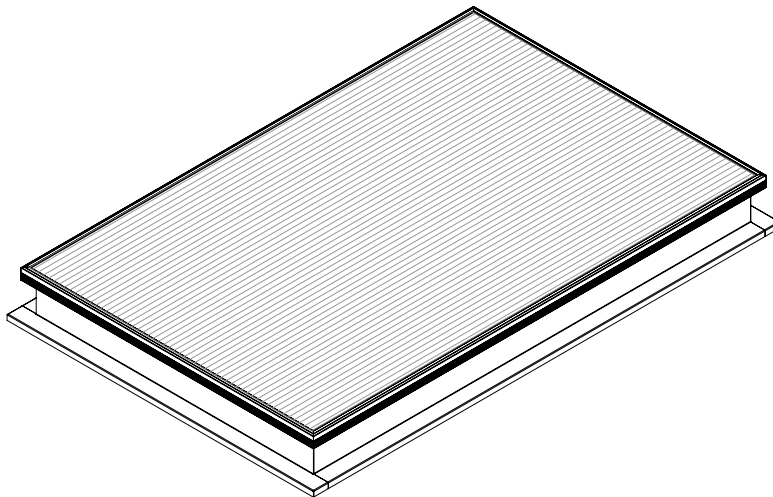


SIDE VIEW

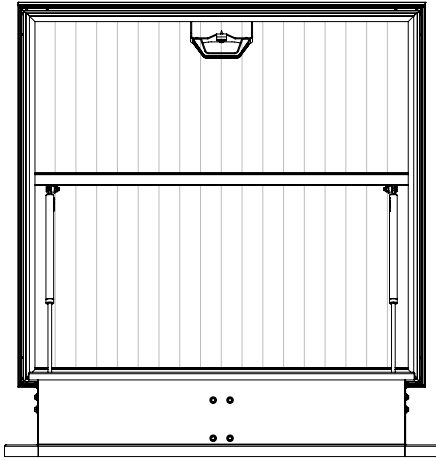


BOTTOM VIEW

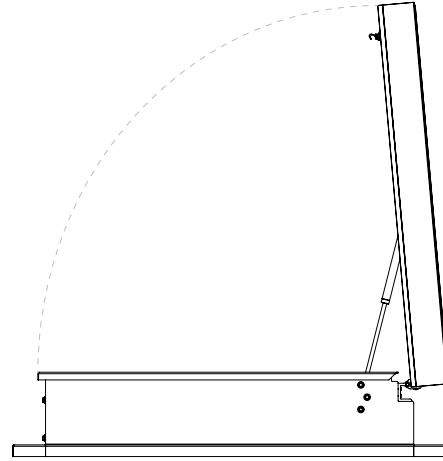
PERSPECTIVE



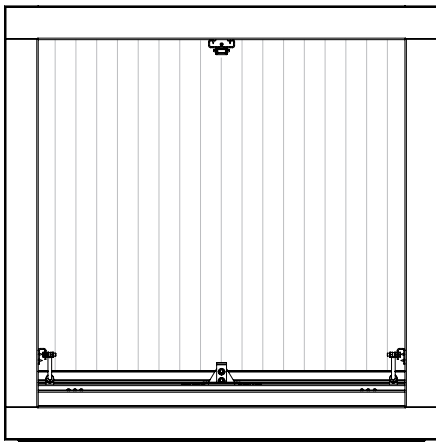
TRILUX RA AC (ROOF ACCESS)



FRONT VIEW



SIDE VIEW



BOTTOM VIEW

PERSPECTIVE

